

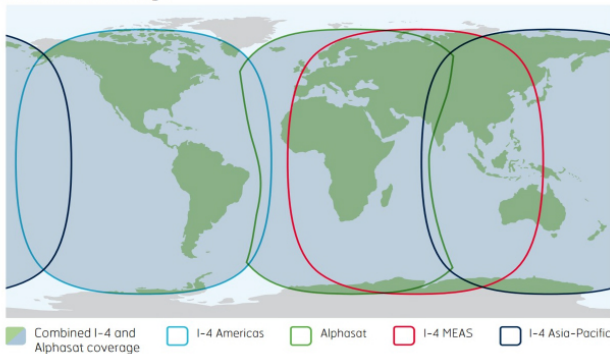
A low-cost entry point to the world of maritime satcoms that keeps you connected at all times.



SAILOR Fleet One is the ideal complement to the new Inmarsat Fleet One service, which utilizes the existing Inmarsat-4 satellite constellation to deliver satellite voice and connectivity services that are ideal for use on smaller boats.

With its compact, lightweight antenna and simple installation, SAILOR Fleet One is a low-cost entry point to the world of maritime satcoms that keeps you connected at all times.

Fleet One Global coverage



SAILOR® FLEET ONE



Data & Voice

SAILOR Fleet One enables data connectivity up to 100kbps and voice calling on a single line. Its capabilities offer significant communications functionality for recreational and fishing users who need reliable voice communications and Internet connectivity on board, when cellular networks aren't available, or just don't offer the quality needed for good communication.

Unrivalled Pedigree

SAILOR Fleet One is designed to the same high standards as the existing SAILOR FleetBroadband product line; quality that more than 35,000 end-users have experienced so far. With ease of use and durability at the forefront, SAILOR Fleet One can be relied upon to provide reliable, high quality communications whether cruising offshore or fishing for a living.

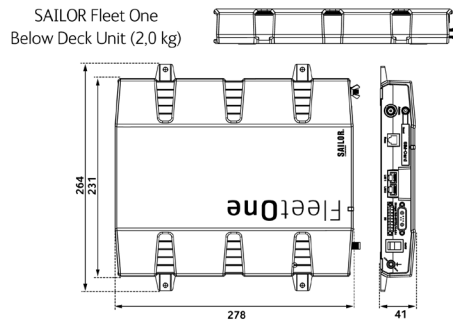
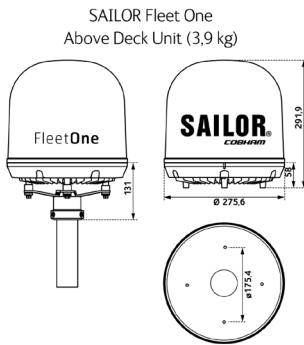
Easy Installation

The SAILOR Fleet One antenna is light and easy to install, even on small boats, and connecting to the below deck equipment is simple enough that keen owners can handle the installation and maintenance themselves. It may be small, but it packs enough power to deliver plenty of band-width for email, web browsing and social media sites.

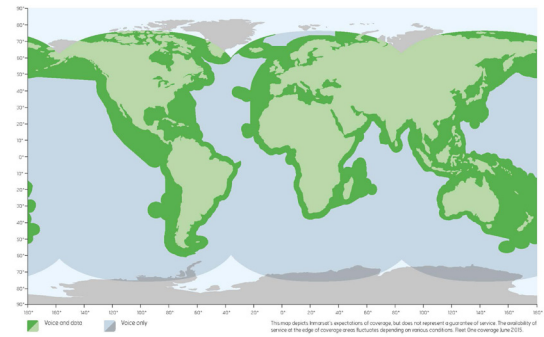
First Choice for Fleet One

Built by the people behind the leading SAILOR FleetBroadband range, SAILOR Fleet One is the first choice for boat owners choosing the Fleet One service because it ensures reliable connectivity even on smaller boats that don't have the room, or the budget, for larger satcoms antennas.

SAILOR® FLEET ONE



Fleet One coastal coverage



Specifications

Approvals

- Inmarsat Fleet One approved. Compliant to RTTE, CE Marked. Tested to FCC part 25

Frequency Band

- **Rx:** 1518 - 1559 MHz
- **Tx:** 1626.5 - 1660.5 MHz, 1668.0 - 1675.0 MHz
- **Ch. spacing:** 10.5 - 189 kHz, Rx 21 - 189 kHz, Tx
- **Ch. size:** 1.25 KHz

Recommended Antenna Cable

- Cable loss max/min: 20 dB at 1,62 GHz and 1.0 Ω DC loop resistance max. 3 dB at 36 - max. 4 dB at 54 MHz

Power Supply & Consumption

- **DC input range (isolated):** 10.5V to 32V DC
- **Power (max):** 120 W @ 10-32 V incl. antenna & PoE output

Environmental Conditions

- **Ambient Temperature:** -25 to +55°C
- **Storage:** -40 to +85°C
- **Survival (power on, non functional):** -40 to +80°C
- Automatic thermal surveillance shuts down system gradually in ease of own temperature
- **BDU operating humidity:** 95% non-condensing at +40°C
- **ADU enclosure:** IPX6
- **ADU operating humidity:** "Exposed" according to EN60 945
- **BDU enclosure:** IP30
- **Icing (survival):** Max 25 mm

Vibration (ADU)

- **Vibration, operational:** Random spectrum 1.05 g rms x 3 axes: 5 to 20 Hz: 0.02 g2/Hz 20 to 150 Hz: -3 dB/octave
- **Vibration, non-operational:** Random spectrum 1.7 g rms 2 h x 3 axes (6 h total): 5 to 20 Hz: 0.05 g2/Hz, 20 to 150 Hz: -3 dB/octave

Ship Motion

- **Roll:** +/- 30 deg. per. 4 s, max 0.7 g tan.
- **Pitch:** +/- 15 deg. per. 3 s, max 0.6 g tan.
- **Yaw:** +/- 10 deg. per. 5 s, max 0.3 g tan.
- **Surge:** +/- 0.5g
- **Sway:** +/- 0.5g
- **Heave:** +/- 0.7g
- **Turning rate:** +/- 36 °/s; ACC 12 °/s²
- **Headway speed:** 22 m/s (42 knots)
- **Wind:** 100 knots

Mechanical Shock

- 20g/11 half-sine

Antenna Connector

- **ADU:** TNC, female
- **BDU:** TNC, female

Services

- **Standard IP:** Up to 100 kbps
- **Streaming IP:** N/A
- **ISDN Data:** N/A
- **SMS (standard 3G):** 160 characters
- **Standard Voice:** 4 kbps

Interfaces

- **Ethernet/PoE:** 2 ports
- **Phone/Fax (2-wire):** 1 port
- **I/O Connector:** 1 connector with 5 configurable inputs/outputs
- **Status LED:** LED power indicator
- **SIM Card Slot:** 1 SIM Card slot for Fleet One SIM card
- **Router:** Integral DHCP/NAT router
- **PBX:** Built-in PBX

sales@networkinv.com

www.networkinv.com



US: +1.954.973.3100
 CA: +1.403.287.5000
 EU: +31.40.295.3001
 UK: +44.20.8286.6768
 SG: +65.6274.0811
 AU: +61.1300.140.150
 SE: +46.8.7652670

Americas
 Canada
 United States

Asia/Pacific
 Singapore
 Australia

Europe
 Netherlands
 United Kingdom
 Sweden

v2032017us